

Large LED Exit Signs

CAT NO. 684481/LI, 684482/LI, 684483/LI, 684484/LI, 684485/LI, 684486/LI, 684487/LI, 684488/LI, 684489/LI, 684490/LI, 684491/LI, 684492/LI, 684493/LI, 684494/LI, 684495/LI, 684496/LI, 684497/LI, 684498/LI, 684499/LI, 684500/LI, 684501/LI, 684502/LI, 684503/LI, 684504/LI, 684505/LI, 684506, 684507, 684508, 684509, 684511/LI, 684512/LI, 684513/LI, 684514/LI, 684515/LI

32M



684481/LI

48M



684486/LI

60M



684501/LI

Operating Mode	Maintained
Operating Voltage	230 - 240 V a.c. 50 Hz
Power Consumption	4.5 W
Battery	Li-ion 6.4 V, 1.5 Ah
Inrush current	5 A peak
Operating Temperature	10° C to 40° C
Body Construction	White powder coated Zinc Steel
Diffuser	Opal cast Acrylic
IP Rating	IP20
Compliance	AS/NZS 2293, AS/NZS 60598
Product Marking	

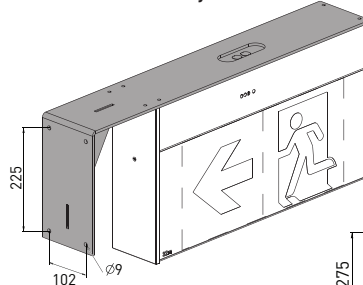
Large LED Exit Signs

CAT NO. 684481/LI, 684482/LI, 684483/LI, 684484/LI, 684485/LI, 684486/LI, 684487/LI, 684488/LI, 684489/LI, 684490/LI, 684491/LI, 684492/LI, 684493/LI, 684494/LI, 684495/LI, 684496/LI, 684497/LI, 684498/LI, 684499/LI, 684500/LI, 684501/LI, 684502/LI, 684503/LI, 684504/LI, 684505/LI, 684506, 684507, 684508, 684509, 684511/LI, 684512/LI, 684513/LI, 684514/LI, 684515/LI

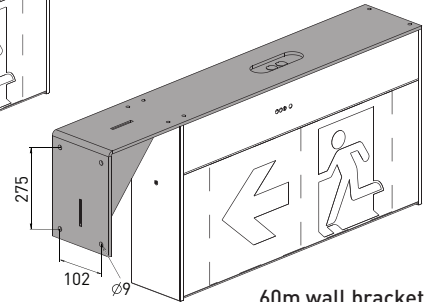
FEATURES

- iSmart™ temperature sensing technology for the Li-ion battery.
- Electronics designed to lengthen the life of the battery, minimising maintenance costs.
- Environment friendly battery.
- Ceiling Mounted.
- Robust Construction.
- Suitable for shopping malls, exhibition halls, sports venues and industrial applications.
- Light Source Life (LSL): 50,000 hours.
- 3 large sizes for increased viewing distances: 32m, 48m or 60m.
- Two installation wall brackets available.
- 5 Year Warranty.
- Designed and Manufactured in Australia.

Wall bracket accessory

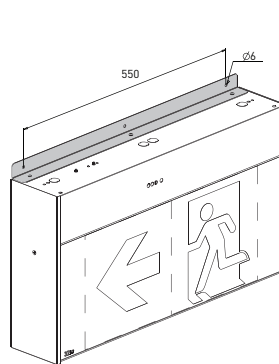


32m and 48m wall bracket
Cat no. 684508

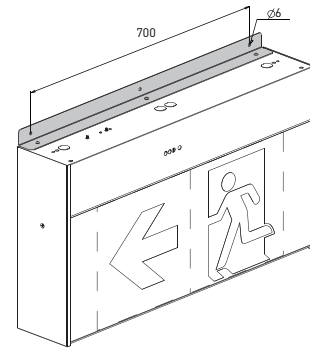


60m wall bracket
Cat no. 684506

Wall flush bracket accessory

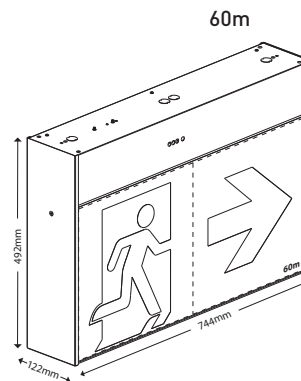
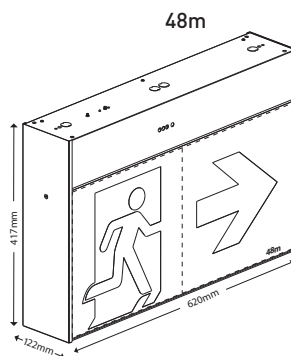
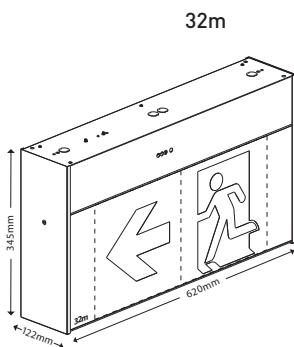


32m and 48m wall flush bracket
Cat no. 684509



60m wall flush bracket
Cat no. 684507

DIMENSIONS



Large LED Exit Signs

CAT NO: **684481/LI, 684482/LI, 684483/LI, 684484/LI, 684485/LI, 684486/LI, 684487/LI, 684488/LI, 684489/LI, 684490/LI, 684491/LI, 684492/LI, 684493/LI, 684494/LI, 684495/LI, 684496/LI, 684497/LI, 684498/LI, 684499/LI, 684500/LI, 684501/LI, 684502/LI, 684503/LI, 684504/LI, 684505/LI, 684506, 684507, 684508, 684509, 684511/LI, 684512/LI, 684513/LI, 684514/LI, 684515/LI**

Cat. No.	Description	Weight
32m		
684481/LI	Large Exit SS RM 32M	4.8 kg
684482/LI	Large Exit SS RML 32M	4.8 kg
684483/LI	Large Exit SS RMR 32M	4.8 kg
684484/LI	Large Exit DS RM 32M	4.8 kg
684485/LI	Large Exit DS RML/R 32M	4.8 kg
684491/LI	Large Exit SS RM 32M Axiom	4.8 kg
684492/LI	Large Exit SS RML 32M Axiom	4.8 kg
684493/LI	Large Exit SS RMR 32M Axiom	4.8 kg
684494/LI	Large Exit DS RM 32M Axiom	4.8 kg
684495/LI	Large Exit DS RMLR 32M Axiom	4.8 kg
48m		
684486/LI	Large Exit SS RM 48M	5.2 kg
684487/LI	Large Exit SS RML 48M	5.2 kg
684488/LI	Large Exit SS RMR 48M	5.2 kg
684489/LI	Large Exit DS RM 48M	5.2 kg
684490/LI	Large Exit DS RMLR 48M	5.2 kg
684496/LI	Large Exit SS RM 48M Axiom	5.2 kg
684497/LI	Large Exit SS RML 48M Axiom	5.2 kg
684498/LI	Large Exit SS RMR 48M Axiom	5.2 kg
684499/LI	Large Exit DS RM 48M Axiom	5.2 kg
684500/LI	Large Exit DS RMLR 48M Axiom	5.2 kg
60m		
684501/LI	Large Exit SS RM 60M	6.9 kg
684502/LI	Large Exit SS RML 60M	6.9 kg
684503/LI	Large Exit SS RMR 60M	6.9 kg
684504/LI	Large Exit DS RM 60M	6.9 kg
684505/LI	Large Exit DS RML/R 60M	6.9 kg
684511/LI	Large Exit SS RM 60M Axiom	6.9 kg
684512/LI	Large Exit SS RML 60M Axiom	6.9 kg
684513/LI	Large Exit SS RMR 60M Axiom	6.9 kg
684514/LI	Large Exit DS RM 60M Axiom	6.9 kg
684515/LI	Large Exit DS RML/R 60M Axiom	6.9 kg

RM = Running Man Straight, DS = Double Sided, SS = Single Sided
RML = Running Man Left, RMR = Running Man Right

Accessories	
684508	32/48m Wall bracket
684506	60m Wall bracket
684509	32/48m Wall flush bracket
684507	60m Wall flush bracket

Classification	
32m	C ₀ : D12.5, C ₉₀ : D5
48m	C ₀ : D12.5, C ₉₀ : D4
60m	C ₀ : D10, C ₉₀ : D3.2

Maximum Spacing between luminaires for 0.2 lux (Australia)					
Mounting Height (m)	2.4	2.7	3.0	3.3	5.0
D3.2	6.5	6.5	6.5	6.3	0.0*
D4	7.2	7.3	7.3	7.2	0.0*
D5	8.0	8.1	8.2	8.2	7.2
D10	10.5	10.8	11.0	11.2	11.5
D12.5	11.4	11.8	12.1	12.3	12.9

As per AS/NZS 2293:2018

Maximum Spacing between luminaires for 1.0 lux (New Zealand)					
Mounting Height (m)	2.4	2.7	3.0	3.3	5.0
D3.2	0.0*	N/A	N/A	N/A	N/A
D4	0.0*	0.0*	N/A	N/A	N/A
D5	0.0*	0.0*	0.0*	N/A	N/A
D10	5.1	5.0	4.7	0.0*	N/A
D12.5	5.8	5.7	5.6	5.3	N/A

As per AS/NZS 2293:2018

* - exit sign satisfies the requirement to illuminate the doorway or potential hazard, however without a spacing for this mounting height as per AS/NZS 229.1 clause 4.5.

N/A - exit sign without a spacing when installed at this mounting height.

Legrand Australia
1300 369 777
www.legrand.com.au
ABN 31 000 102 661

Legrand New Zealand
0800 476 009
www.legrand.co.nz

Refer to your group buying office, Legrand Sales Representative or Legrand Sales Office for pricing.

Please note: specifications are subject to change without prior notice.